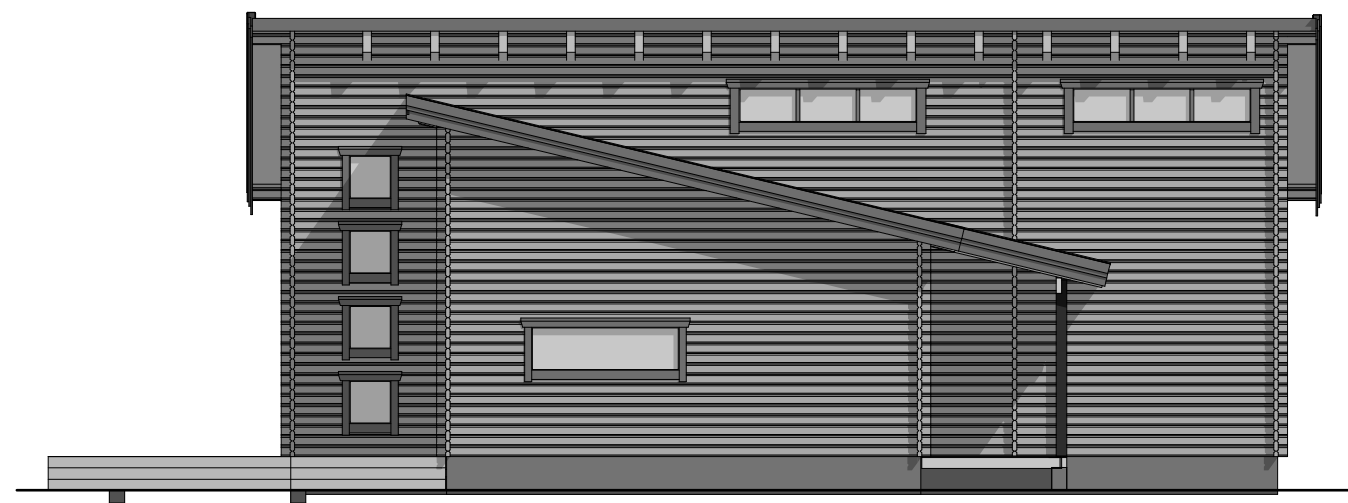


A4

Front view

1:100



A1

Right view

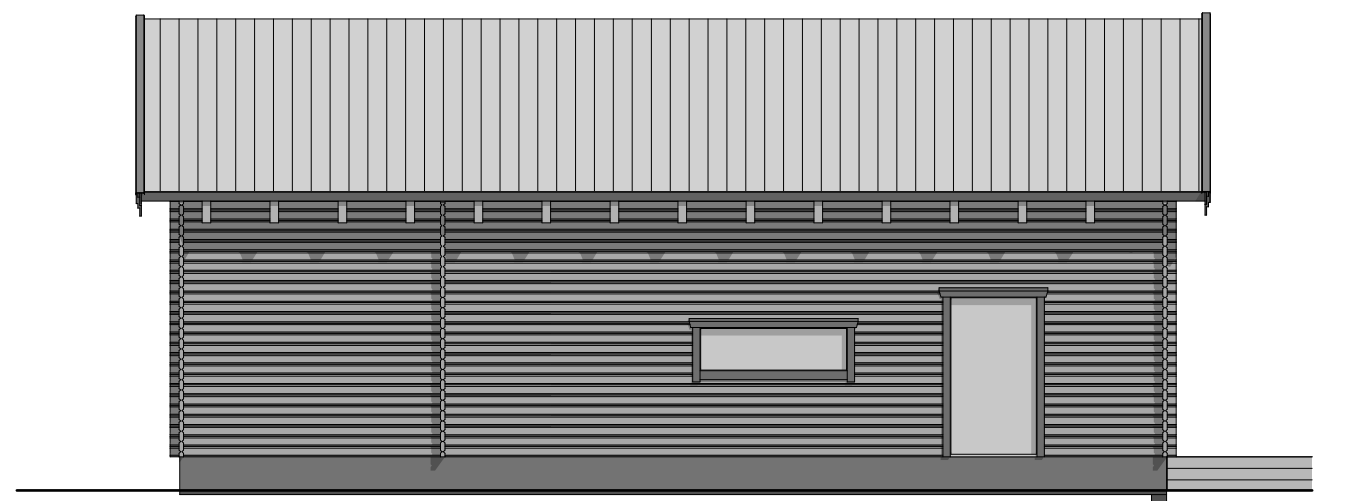
1:100



A2

Rear view

1:100



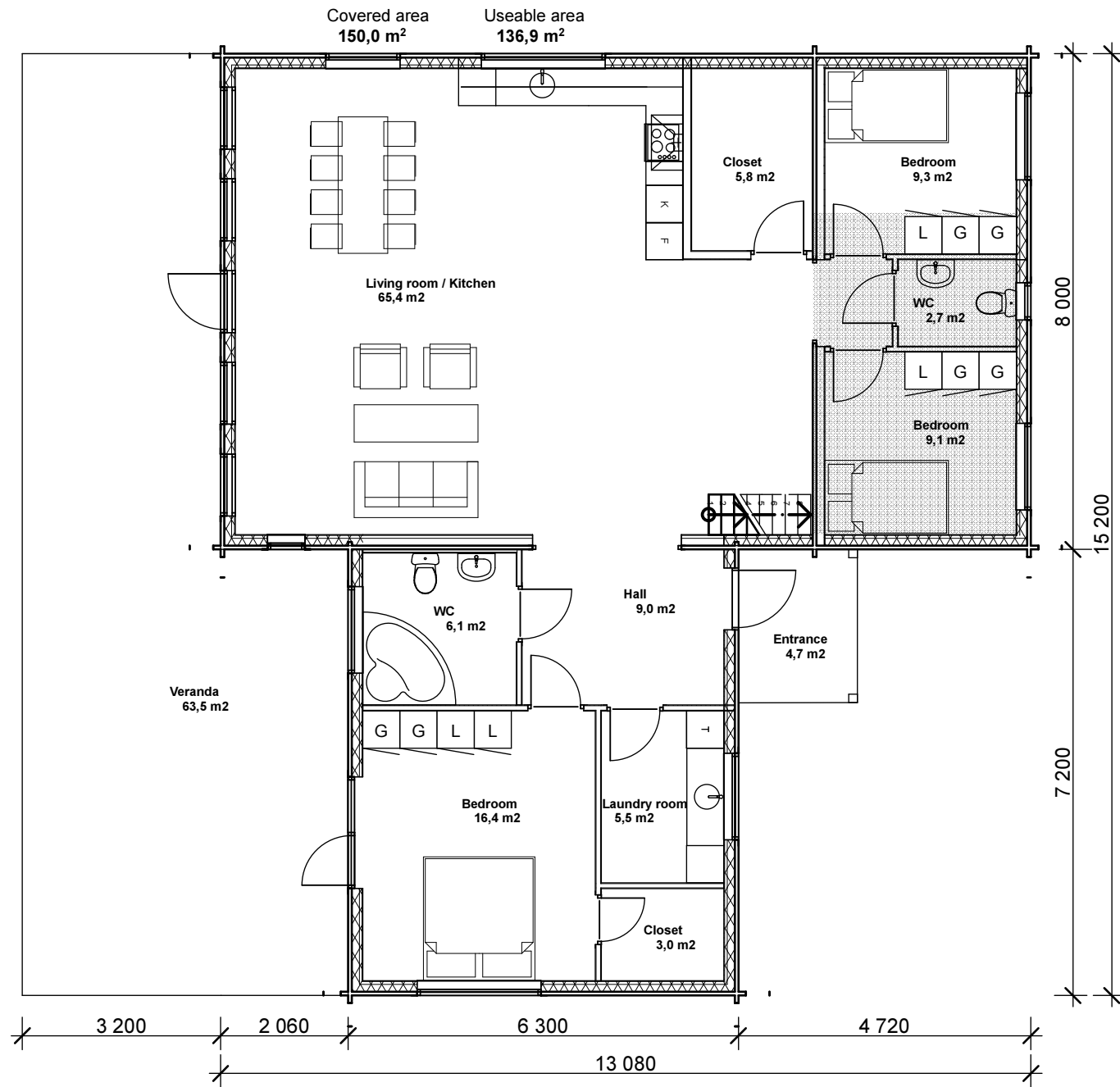
A3

Left view

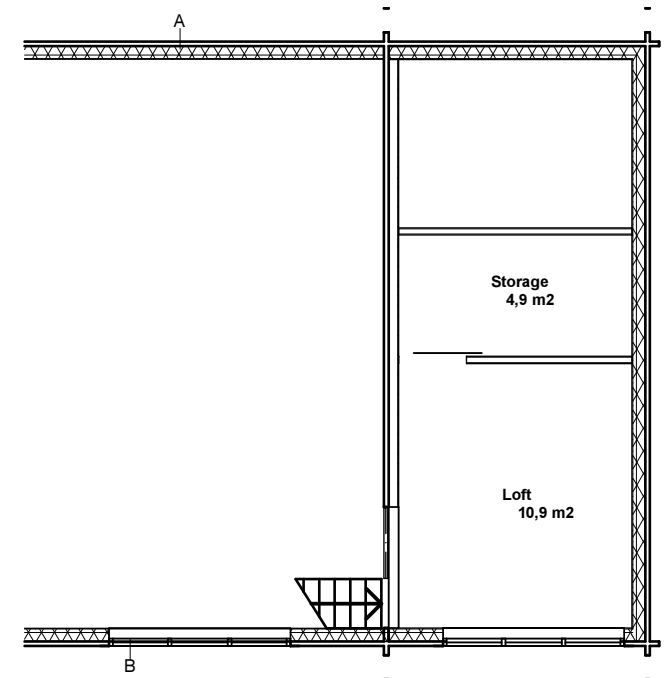
1:100

STANDARDDRAWING

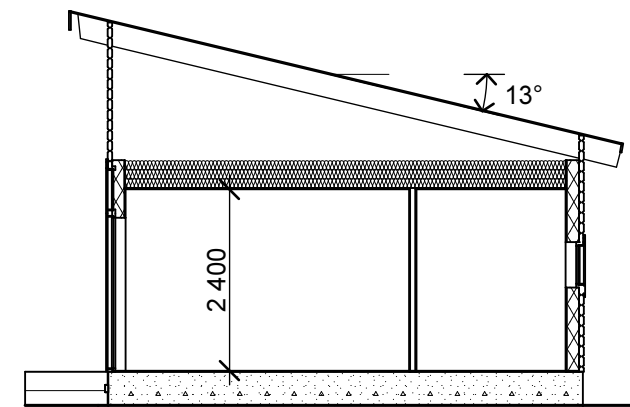
Rev.	Revidering avser	Sign.	Datum
Jörnträhus www.jorntra.se STORGATAN 10 Tel. 0916/10700 930 55 JÖRN Fax 0916/10955 e-mail : info@jorntra.se		TREND 150 Facing views 1	
Jörn 2011-07-08	Ritad: PET	Skala:	Datum: Objekt nr: Std 11



2. Plan 1:100

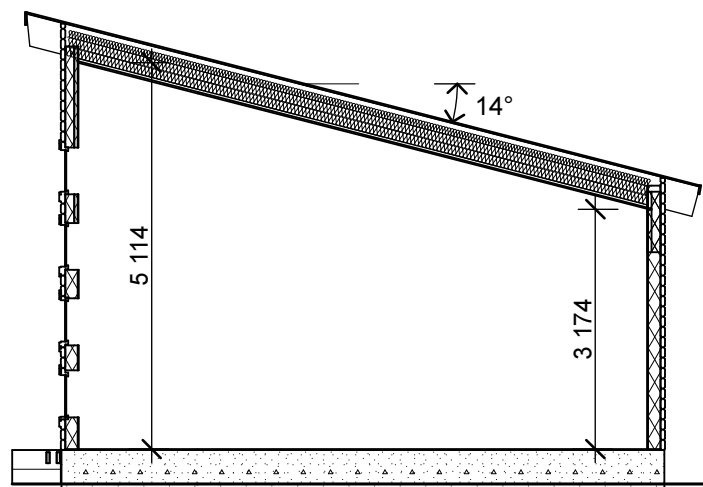


3. Loft 1:100

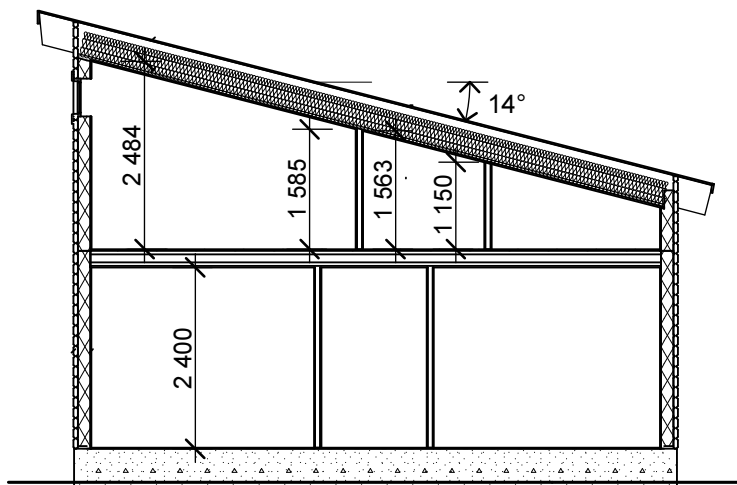


S1 1:100

STANDARDDRAWING



S3 1:100



S2 1:100

Jörnträhus
www.jorntra.se

STORGATAN 10
930 55 JÖRN

Tel. 0916/10700
Fax 0916/10955
e-mail : info@jorntra.se

Jörn
2011-07-08

Rev.	Revidering avser	Sign.	Datum
TREND 150		Plandrawing and section drawings	
Ritad: PET		Skala:	Datum:
2011-07-08		Objekt nr: Std 11	