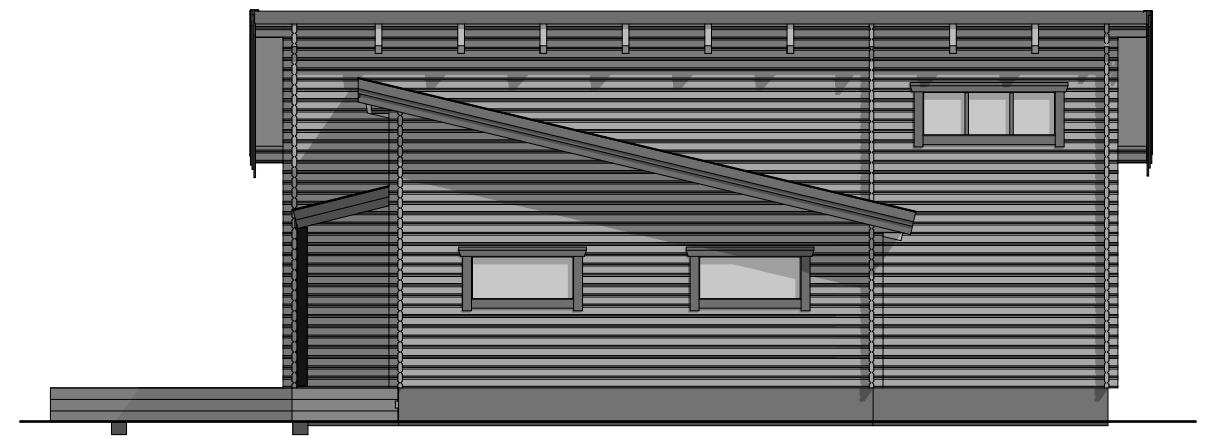
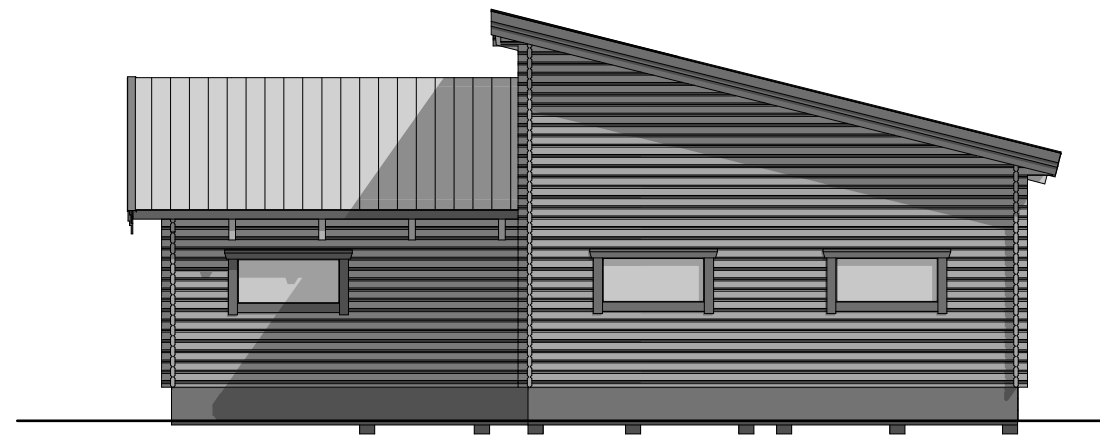




A4 Front view 1:100



A1 Right view 1:100



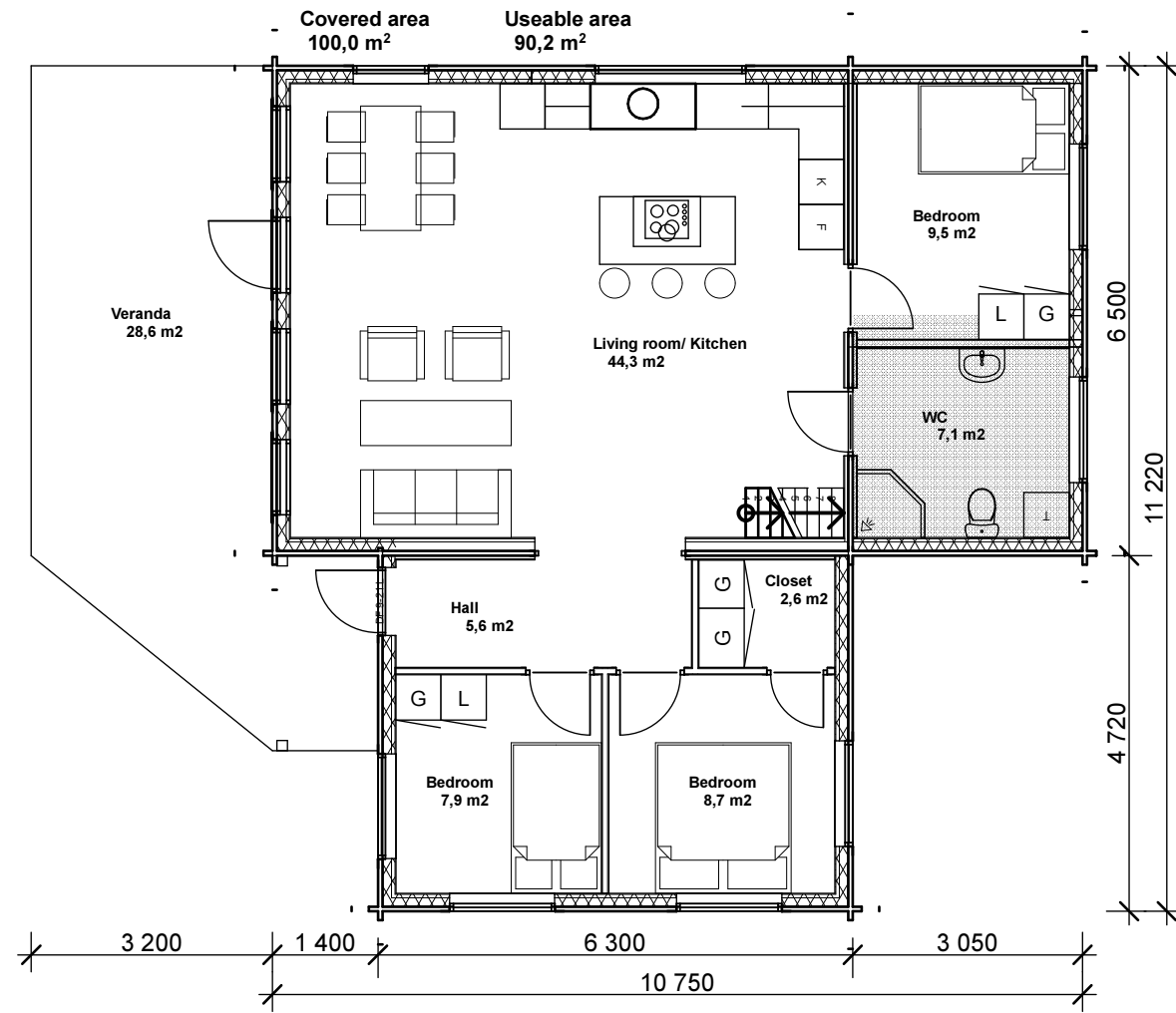
A2 Rear view 1:100



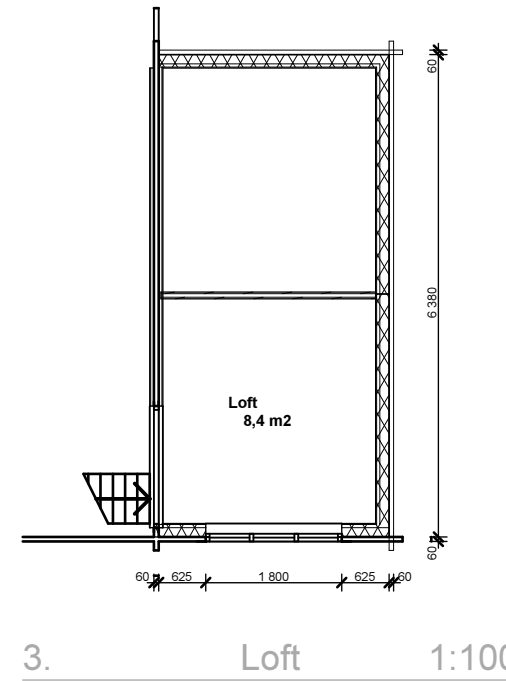
A3 Left view 1:100

STANDARD DRAWING

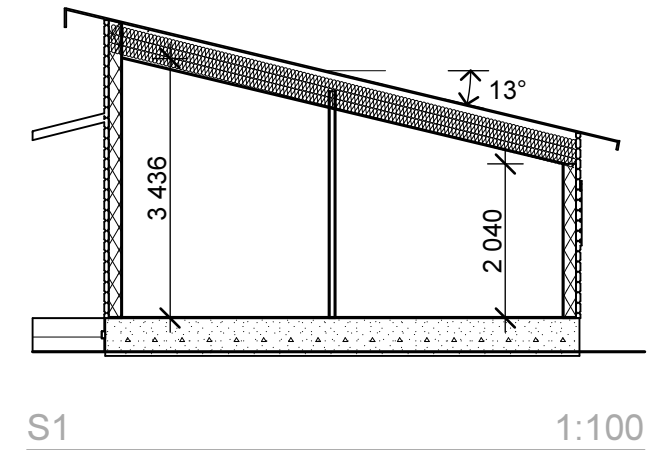
Rev.	Revidering avser	Sign.	Datum
	TREND 100 Facing views		
Jörnträhus www.jorntra.se STORGATAN 10 Tel. 0916/10700 930 55 JÖRN Fax 0916/10955 e-mail : info@jorntra.se		1.	
Jörn 2011-07-11	Ritad: PET	Skala:	Datum: Objekt nr: Std 11



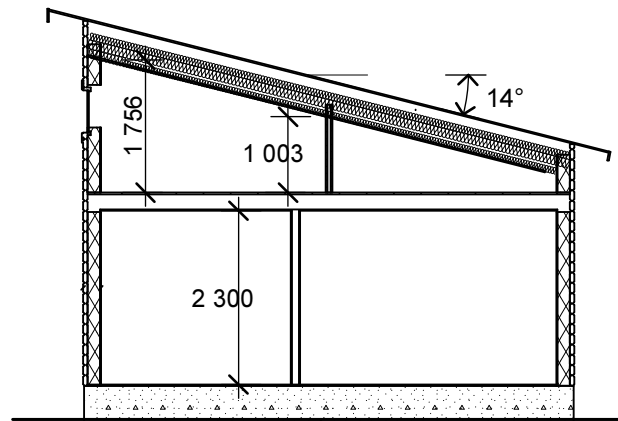
2. Plan 1:100



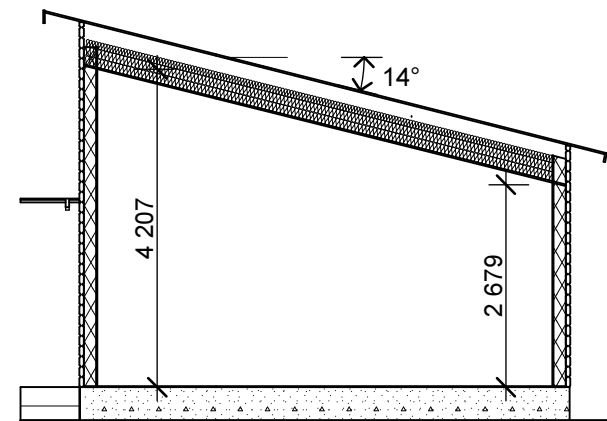
3. Loft 1:100



S1 1:100



S2 1:100



S3 1:100

STANDARD DRAWING

Jörnträhus
www.jorntra.se
 STORGATAN 10
 930 55 JÖRN
 Tel. 0916/10700
 Fax 0916/10955
 e-mail : info@jorntra.se

Rev.	Revidering avser	Sign.	Datum
	TREND 100		
	Plandrawing and section drawings		
			2.
Jörn	Ritad: PET	Skala:	Objekt nr: Std 11
2011-07-11		Datum:	